

# VERSO® PRODUCT DATA SHEET

## PRODUCT CODE

VCP20M

## PRODUCT RANGE

Metal Consumer Unit

## DESCRIPTION

Verso® 20 way 100A DP Mainswitch Consumer unit

## FEATURES

- 18th Edition Compliant
- 20 usable ways
- Lockable
- 100A DP Mainswitch isolator
- Silver coated busbar
- Installer kit included
- Neutral link included
- Tail Clamp included
- Knockout entry



## TECHNICAL INFORMATION

|                       |                                      |
|-----------------------|--------------------------------------|
| Height                | 265mm                                |
| Width                 | 464mm                                |
| Depth (including lid) | 104mm                                |
| Weight                | 4.54 KG                              |
| Mounting              | Surface                              |
| Number of modules     | 22                                   |
| Cable entry           | Knockouts (top, side, bottom & rear) |
| Guarantee             | 10 Years                             |
| Frequency             | 50Hz/60Hz                            |
| Packaging             | Box                                  |
| IP Rating             | IP4X                                 |
| Mounting type         | Din Rail                             |
| Lockable              | Yes (requires VCPK-L)                |
| RAL Colour            | RAL 9010 Soft matt finish            |
| Material              | Steel                                |
| Cover type            | Top side steel hinge (gravity led)   |
| Manufacturer          | Verso Electrical                     |
| Product range         | Metal Consumer Units                 |
| Mainswitch rating     | 100                                  |
| Poles                 | 2                                    |
| Cable clamp           | Cage Clamp                           |
| Busbar rating         | 100A                                 |
| SPD Type              | N/A                                  |
| Standards             | BS EN 61439 1&3, BS EN 600947-3      |
| Country of origin     | PRC                                  |

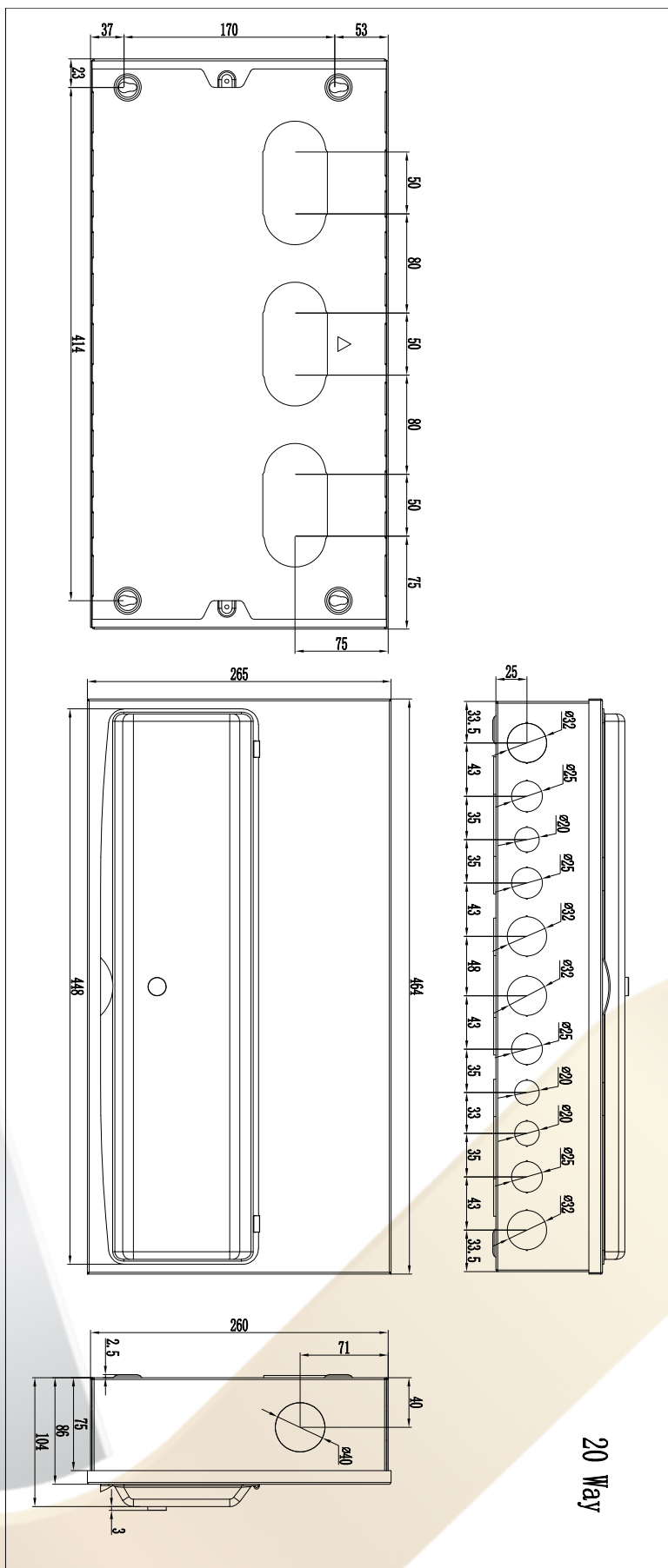
# VERSO<sup>®</sup> PRODUCT DATA SHEET

## PRODUCT CODE

VCP20M

## DESCRIPTION

Verso<sup>®</sup> 20 way 100A DP Mainswitch  
Consumer unit



# VERSO® DECLARATION OF CONFORMITY

## PRODUCT CODE

VCP20M

## DESCRIPTION

Verso® 20 way 100A DP Mainswitch  
Consumer unit

## INTENDED USE

Power distribution with to final final circuits  
through MCB's and RCBO's



## MANUFACTURER

Verso® Electrical  
PGL House (Floor 1), West Point Industrial  
Estate. Penarth Road. Cardiff. CF11 8JQ.  
United Kingdom

## RATINGS & CHARACTERISTICS

|                |       |
|----------------|-------|
| Voltage Rating | 230V  |
| Current Rating | 100A  |
| Frequency      | 50 Hz |

## DESIGNATED STANDARDS

BS EN 61439 1&3  
BS EN 600947-3



I declare that the object of the declaration above is in conformity with the relevant harmonization legislation and national standards.

Signed on behalf of Verso® Electrical

William Winter (Ba/Bsc) | Managing Director